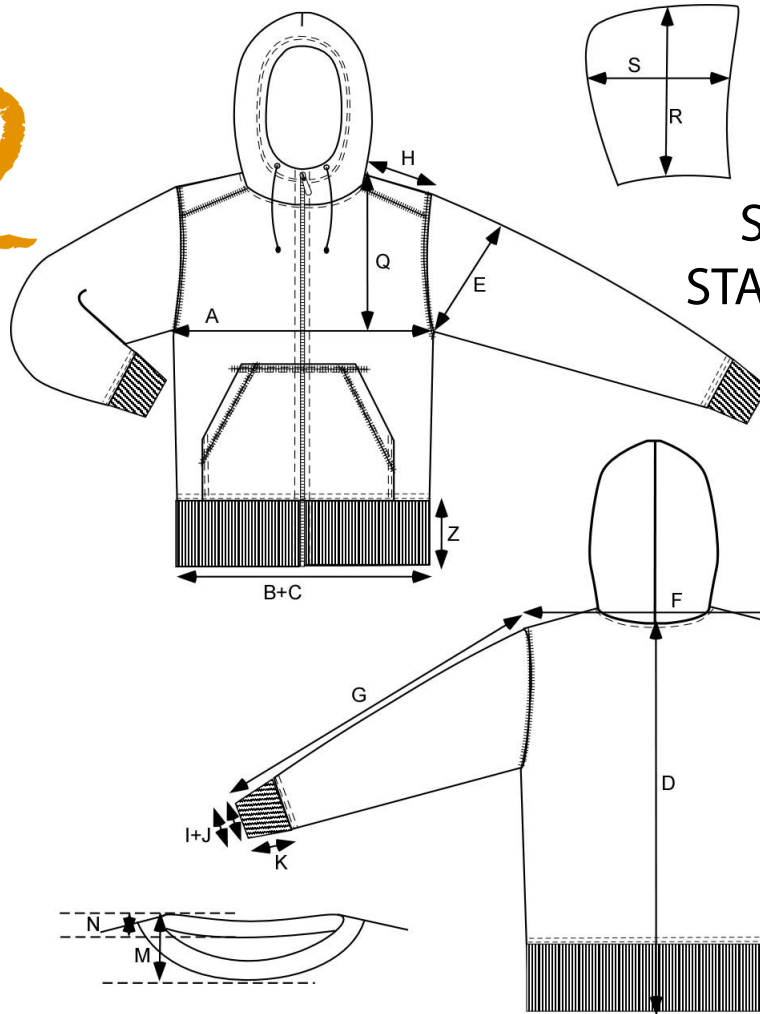


1 to
1 you
2



Størrelseskart for
STAYTON hettegenser

	S	M	L	XL	XXL		Tolerance
0							
0							
0	Revised mmlist 051014						
A	1/2 Chest	54,50	56,50	58,50	61,00	63,50	+0,5cm
B	1/2 Bottom relaxed	41,00	43,00	45,00	47,50	50,00	+0,5cm
C	1/2 Bottom stretched	52,00	54,00	56,00	58,50	61,00	+0,5cm
D	CB Length	67,00	68,00	69,00	70,00	71,00	+1cm
E	1/2 Bicept	24,50	25,00	25,50	26,25	27,00	+0,5cm
F	Shoulder to shoulder	48,00	49,50	51,00	53,00	55,00	+0,5cm
G	Sleeve length	65,00	66,50	68,00	69,50	71,00	+0,5cm
H	Shoulder	13,50	14,25	15,00	16,00	17,00	0cm
I	1/2 Cuff relaxed	8,50	9,50	9,50	9,50	10,50	0cm
J	1/2 Cuff stretched	13,00	14,00	14,00	14,00	15,00	0cm
K	Cuff height	8,00	8,00	8,00	8,00	8,00	0cm
L	Neck width	21,00	21,50	22,00	22,50	23,00	0cm
M	Neck drop front	10,90	11,20	11,50	11,80	12,10	0cm
N	Neck drop back	2,50	2,50	2,50	2,50	2,50	0cm
Q	1/2 Armhole	27,50	28,50	29,50	30,75	32,00	0cm
R	1/2 Hood height	34,50	34,50	34,50	34,50	34,50	+0,5cm
S	1/2 Hood width	28,00	28,00	28,00	28,00	28,00	+0,5cm
Z	Rib height bottom	8,00	8,00	8,00	8,00	8,00	0cm